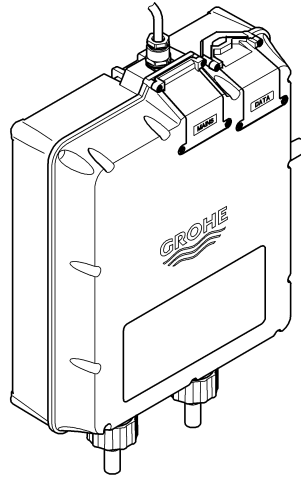
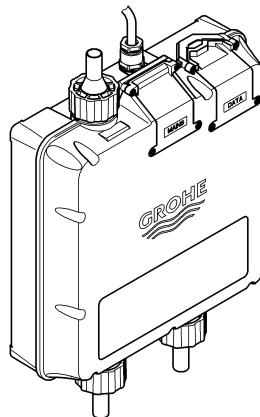


36 022  
Pumped



36 023  
High Pressure



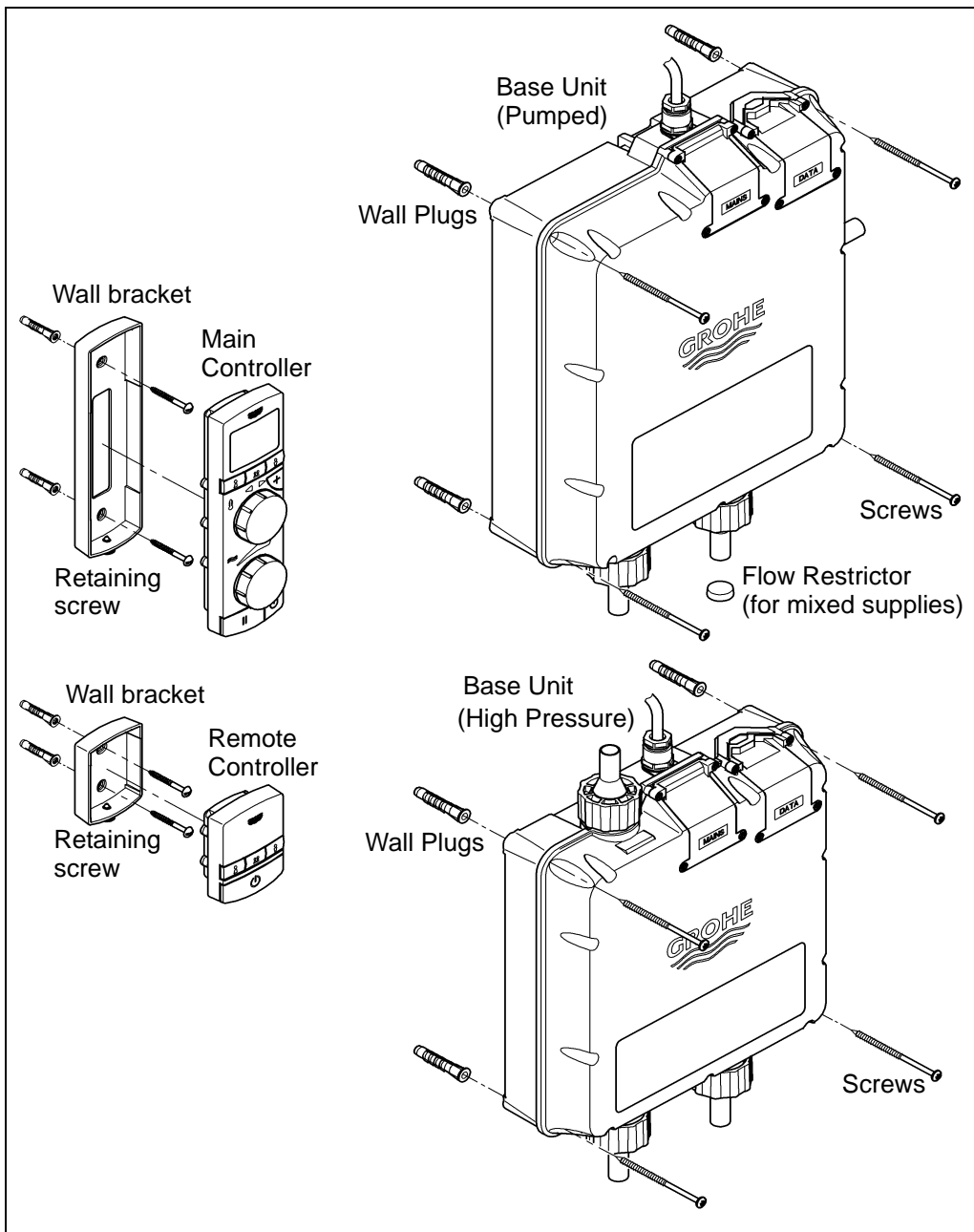
Grotherm Wireless!

## Grotherm Wireless!

Installation Instructions

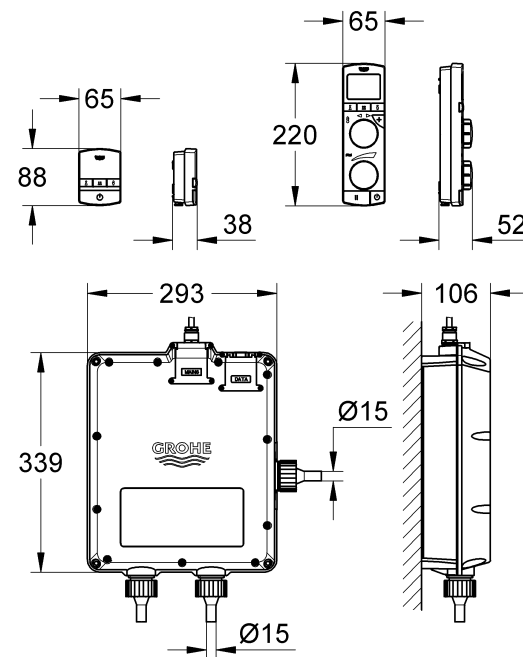
95.662.031/ÄM 206499/04.06



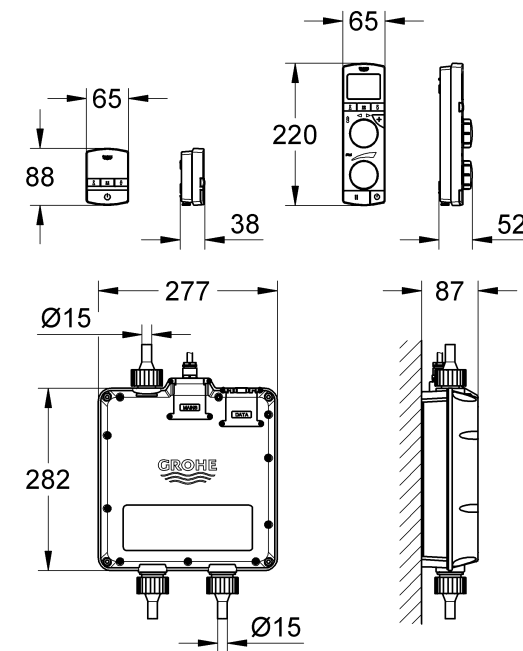


Please pass these instructions on to the end user!

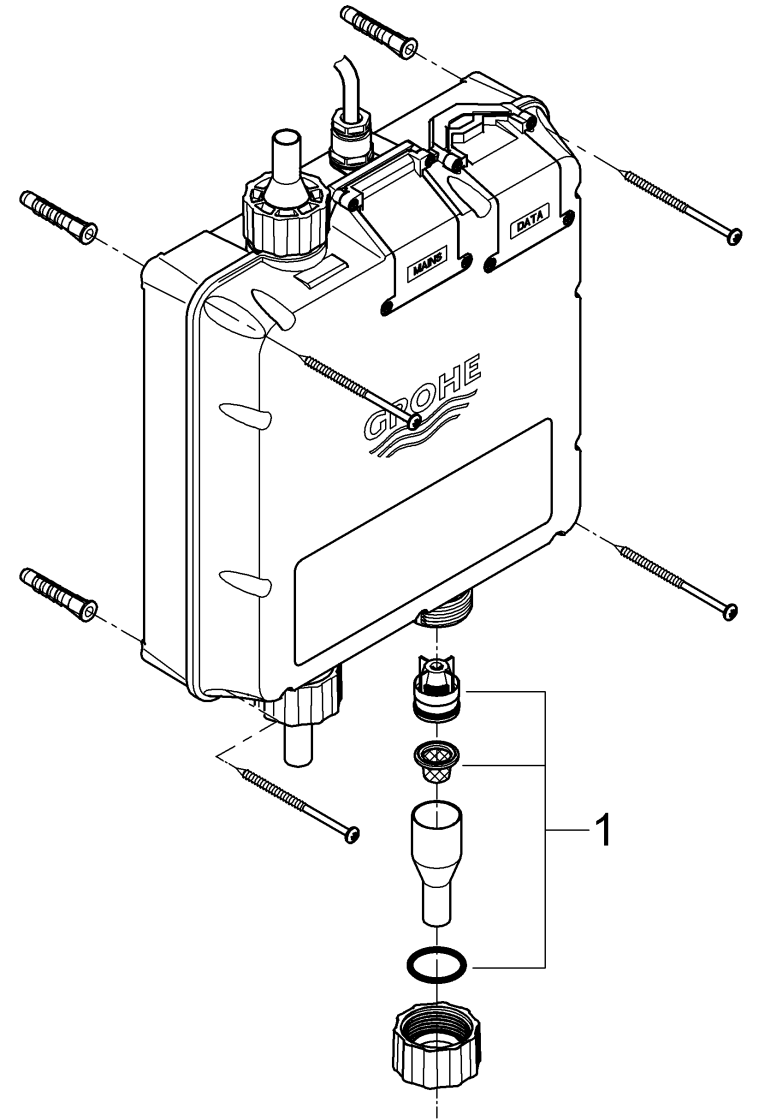
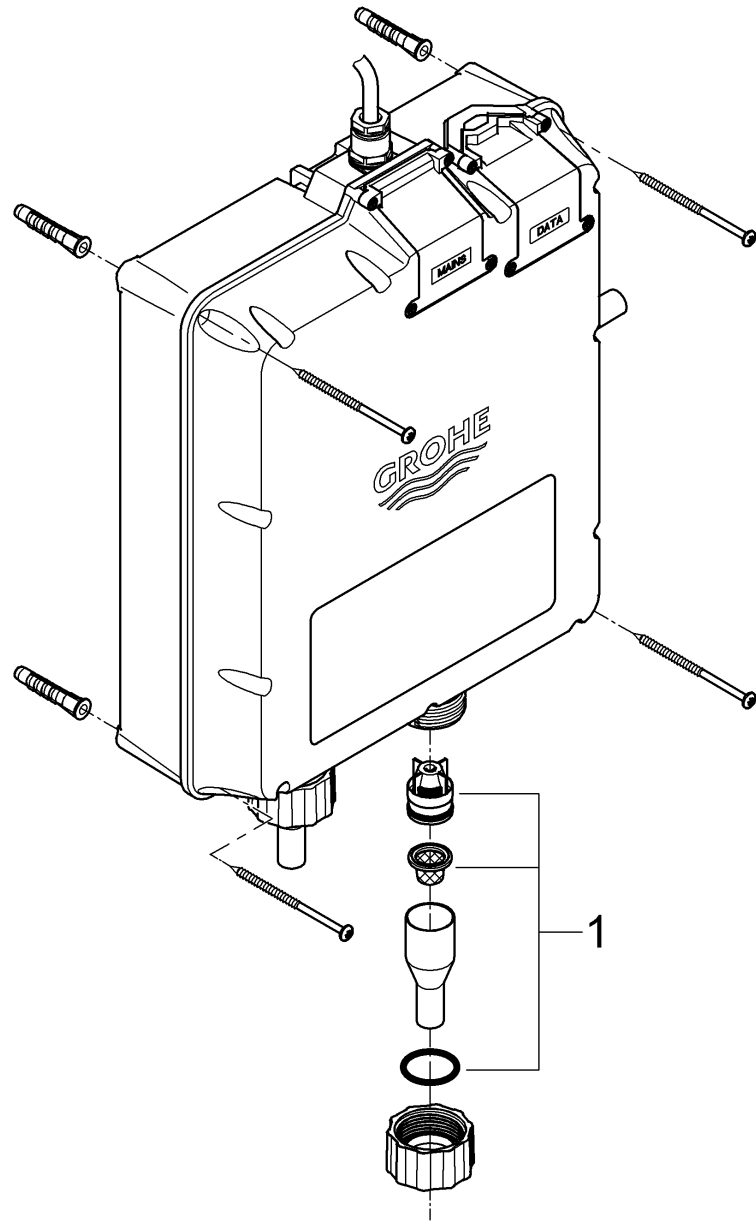
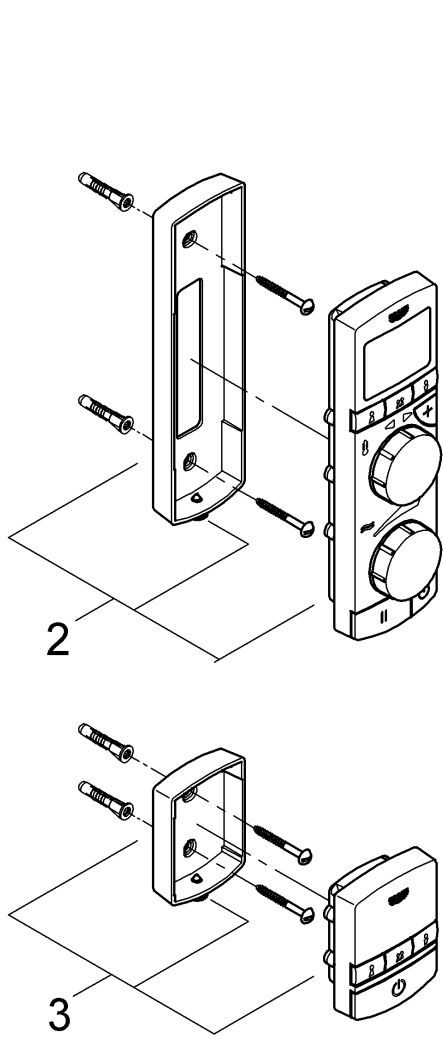
**36 022**  
Pumped



**36 023**  
High Pressure



# Spare Parts



## Index

<b>Contents</b> .....	1
<b>Installation Dimensions</b> .....	2
<b>Spare Parts Drawing</b> .....	3 + 4
<b>Technical Data</b> .....	5 + 6
<b>Installation</b> .....	7 - 9
Base Unit Installation .....	7 + 8
Main and Remote Controller .....	9
<b>Maintenance</b> .....	10
<b>Spare Parts List</b> .....	10
<b>Guarantee</b> .....	11

### Dear Customer,

Thank you for choosing a GROHE product. Please follow these instructions carefully and you will enjoy many years of reliable service from this shower.

## Technical Data

### Functioning Principle

**Grotherm Wireless!** is a wireless controlled thermostatic mixer with wax cartridge. Water flow and temperature can be changed and set using the Main and Remote Controllers.


### Application

Safe limitation of the maximum outlet temperature is achieved via pre-set temperature limits which can be changed using the Main Controller. There is a protective user operated override (set at default 38°C) and a maximum system temperature (set at default 43°C).

This product is supplied with Ø15mm inlets and outlet suitable for push fit connections.

The product is preassembled.

### Approval and conformity

 This product conforms to the requirements of the relevant EU guidelines.

The conformity declarations can be obtained from the following address:

**GROHE Deutschland Vertriebs GmbH**  
Zur Porta 9  
D-32457 Porta Westfalica

## Technical Data

### Plumbing Systems

Two versions of the product are available to satisfy all plumbing systems as follows:

#### Low pressure supplies: 36 022 (Pumped)

- Gravity-fed plumbing systems with an open vented hot water cylinder
- Cold water storage cistern
- Concealed Base Unit
- Pressure
  - 36 022 (Pumped)
  - maximum 1 bar
  - minimum (recommended) 0.1 bar
  - minimum (priming of pump needed, see later) 0.01 bar
- Supply voltage: 230 V  
(3 A fused spur, 2 metres cable supplied fitted to Base Unit)
- Type of protection (Base Unit): IP X4
- Maximum ratio of cold to hot (or hot to cold) pressure: 1 : 5
- Mixed water flow rate open outlet (no shower connected) at 0.1 bar: approx. 18 l/min
- Temperature
  - Maximum (hot water inlet) 70 °C
  - Recommended (for economy) 60 °C
- Water connection
  - Inlet Hot water marked **HOT**
  - Inlet Cold water marked **COLD**

#### Mixed supplies: 36 022 (Pumped)

- The pumped system can be used in cases of mixed supply (high pressure cold and low pressure hot, or low pressure cold and high pressure hot). In these cases, a PRV (not included) must be used to limit pressure to 1 bar and a flow restrictor (included) must be fitted to the inlet connected to the mains pressure supply. See Installation for details on flow restrictor fitting.

### High pressure supplies: 36 023 (High Pressure)

- Mains pressure unvented and instantaneous thermal hot water storage systems.
- Multi-point gas water heaters.
- Combination boilers with a modulating hot water output.  
To maintain sufficient hot water output, ensure the combination boiler temperature setting is on **high**.
- Concealed Base Unit
- Pressure
  - 36 023 (High Pressure) 1 - 5 bar
  - Greater than 5 bar, fit pressure reducing valve
- Supply voltage: 230 V  
(3 A fused spur, 2 metres cable supplied fitted to Base Unit)
- Type of protection (Base Unit): IP X4
- Maximum ratio of cold to hot (or hot to cold) pressure: 1 : 5
- Mixed water flow rate open outlet (no shower connected) at 3 bar: approx. 25 l/min
- Temperature
  - Maximum (hot water inlet) 70 °C
  - Recommended (for economy) 60 °C
- Water connection
  - Inlet Hot water marked **HOT**
  - Inlet Cold water marked **COLD**

### Supply Pipework

Ensure the supply pipework is thoroughly flushed before installing the Base Unit.

GROHE recommends installing isolating valves upstream of the Base Unit to aid servicing.

## Installation

### Base Unit

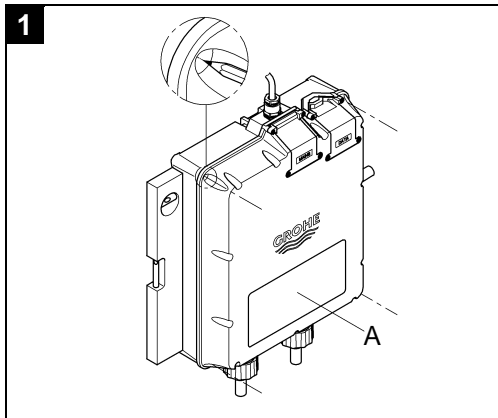
The Base Unit of the system can be installed in any orientation (e. g. vertically, horizontally front side up, on inclines) but in cases of use of the pumped version (36 022), outlet down is not recommended if inlet pressures are lower than 0.1 bar (1 metre head).

### Location suggestions:

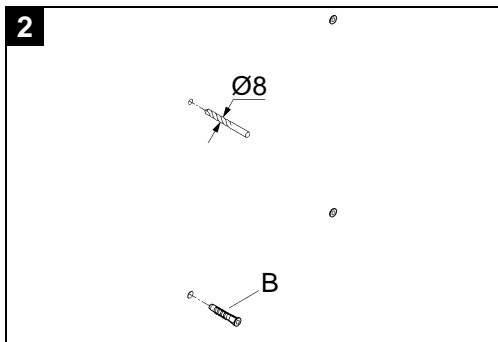
1. Under the bath
2. Above the ceiling
3. In the next room

Refer to the installation dimensions given on Page 2.

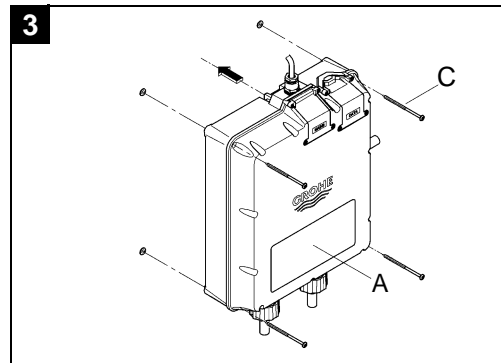
1. Align the Base Unit (A) horizontally, vertically and lay out the holes for screws, see Fig. [1].



2. Drill holes for Base Unit and insert wall plugs (B) if necessary, see Fig. [2].



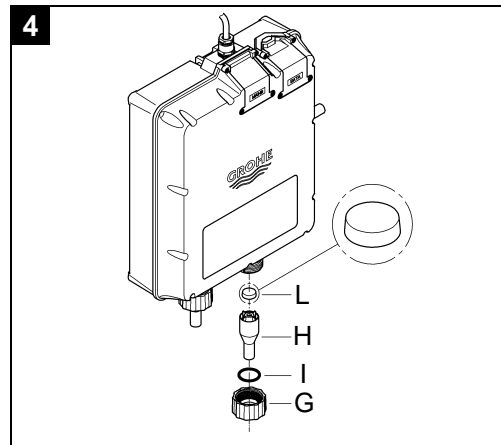
3. Fasten Base Unit (A) to wall with screws (C), see Fig. [3].



### Fitting a flow restrictor (36 022, Pumped, only when necessary)

If using the pumped system on mixed supplies, a flow restrictor is needed on the mains water fed line.

1. Unscrew connection nut (G), see Fig. [4].

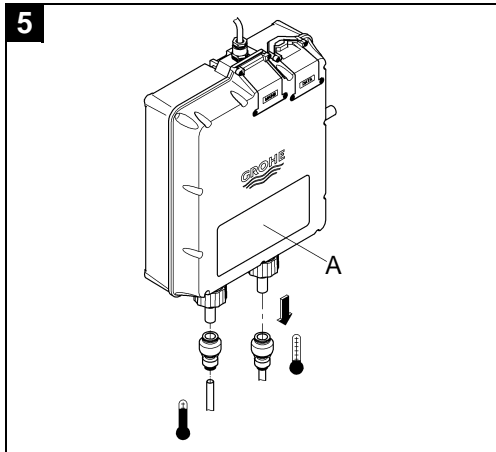


2. Take out the copper reducer (H) and the O-ring (I).
3. Insert the flow restrictor (L) in the position and orientation shown.

Assemble in reverse order, take care not to damage the O-ring.

## Installation

Connect the hot and cold supply pipes to the Ø15mm connections of the Base Unit (A), see Fig. [5].



Use push fit connectors (not included).

**The hot water supply must be connected to the inlet marked HOT, the cold water to the inlet marked COLD.**

Connect mixed water outlet to the shower set.

For mounting the shower set, refer to the related installation instructions.

### Electrical installation



**Electrical installation work must only be performed by a qualified electrician! This work must be carried out in accordance with the regulations to IEC 364-7-701-1984 as well as all national and local regulations!**

### Connecting to the power supply



**Always switch off the power supply before making electrical connections.**

### Open cold and hot water supply.

Check the pipework and connections to the shower system for leaks.

### Priming of pump (36 022)

In case of water supply below 0.1 bar (one metre head), priming of the pump may be necessary using a suitable head of water. The pump cannot be allowed to run dry and the system will stop this happening for longer than 10 seconds.

To prime without the pump running, with the system off, enter the SERVICE mode using the Main Controller.

1. Press the plus button until INLET V appears.
2. Turn the temperature dial so that 01 is shown. This has opened the inlet solenoid valves assist to priming.
3. The solenoid valves will stay open for five minutes (or can be shortened by exiting from the SETUP mode).

### Output temperature synchronisation

In the cases where there are many metres of pipework between the Base Unit output and the shower head, compensation for cooling of water can be carried out using the SYNCHRO function.

1. Run the shower at 38 °C for a few minutes.
2. Measure the actual water temperature at shower output.
3. Switch off, enter the setup mode and select SYNCHRO.
4. Adjust the indicated temperature to the same as that actually measured,
5. Press pause to confirm,
6. Exit the setup mode correctly.

### Frost damage

Keep the Base Unit free from frost to avoid damaging internal components.

## Installation

### Main and Remote Controllers

The Main Controller should be installed e. g. inside cubicle or over the bath.

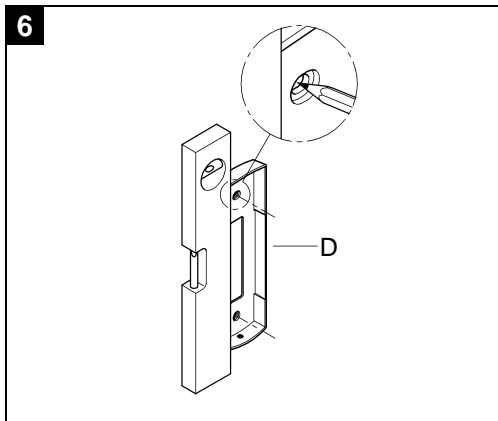
The Remote Controller can be installed e. g. inside / outside bathroom or in the bedroom.

Both controllers can be installed maximum 10 metres from the Base Unit (depending on the wall type, thickness and construction).

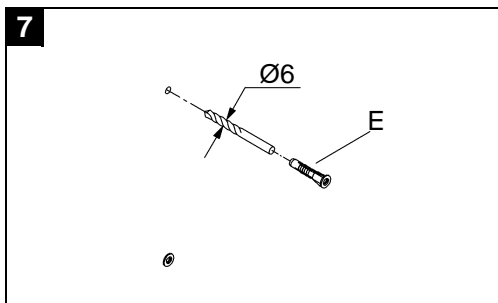
Refer to the installation dimensions given on Page 2.

Decide the best position. Pay attention to electrical wiring and water lines.

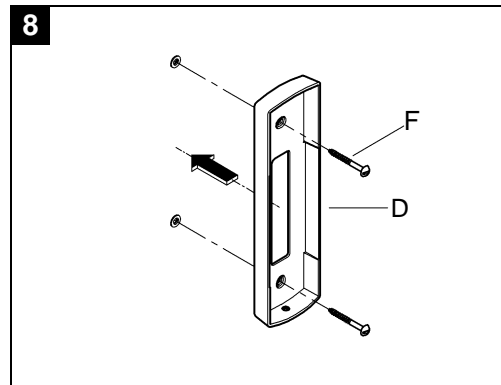
1. Align the wall bracket (D) vertically and lay out the holes for screws, see Fig. [6].



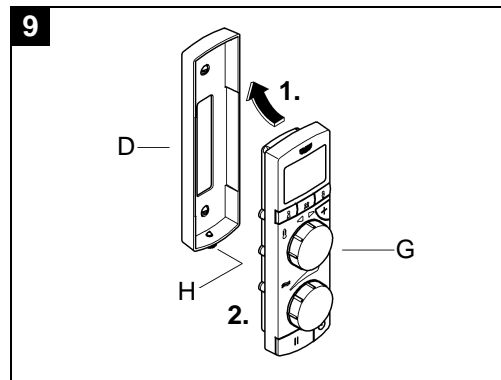
2. Drill holes for wall bracket and insert wall plugs (E), see Fig. [7].



3. Fasten wall bracket (D) to wall with screws (F), see Fig. [8].



4. Place controller (G) in the wall bracket (D), see Fig. [9].



5. Secure controller (G) with retaining screw (H).



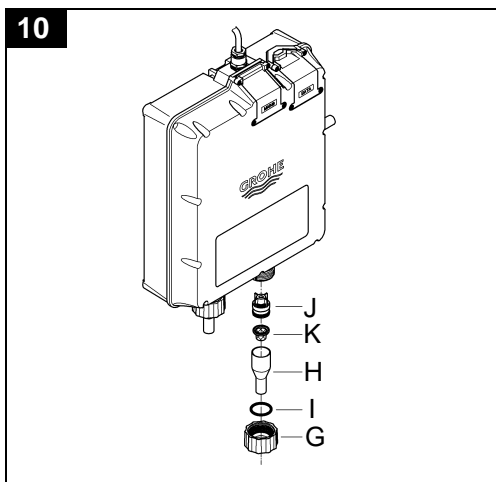
## Maintenance

Check, clean and, if necessary, replace parts.

### Non-Return Valve and filter

#### Shut off cold and hot water supply!

1. Unscrew connection nut (G), see Fig. [10].



2. Take out the copper reducer (H) and the O-ring (I).
3. Push out the non-return valve (J) and filter (K).

Assemble in reverse order.

Only genuine GROHE replacement parts must be used.

## Replacement Parts

No.	Description	Cat.-No.	Pack- ing unit	No.	Description	Cat.-No.	Pack- ing unit
1	Non-Return Valve, Filter and Seal	45 558	1	2	Main Controller	45 441	1
				3	Remote Controller	45 440	1

## Guarantee

### **Guarantee declaration**

Our products correspond to the technical and water supply standards as well as the relevant approvals requirements. We guarantee them to be free of design and production faults at the time of delivery and that, with correct use and care in accordance with our printed instructions, they will function reliably.

---

Please enter date of purchase and installation here.

### **Our address**

GROHE Limited  
1, River Road  
Barking,  
Essex, IG11 OHD  
GB  
Tel.: 0208 / 594 72 92  
Fax: 0208 / 594 88 98



© 2000 Friedrich Grohe AG & Co. KG

Grohe Water Technology AG & Co. KG · P.O. Box 13 61 · D-58653 Hemer/Germany  
Tel. +49 (0) 23 72 / 93 - 0 · Fax: +49 (0) 23 72 / 93 13 22