

## Modular Switching System

### Standards and approvals

#### Switch modules

BS EN 60669-1: 2000 or BS 3676: Part 1: 1989

#### Indicator units

BS 5733: 1995

#### Dimmer switches

Dimmers comply with IEC 669-2-1, BSEN 50082-1

#### Accessory modules

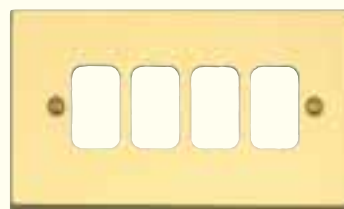
Single non-isolated, TV/FM socket outlet,  
BS 3041: Part 2: 1977

#### Universal Socket

BS 5733: 1995

### Features

- Grid modules clip fit to frame without special tools
- Modules can be removed/replaced when grid frame is fixed in position
- Grid Plus frontplates available to match all MK wiring device ranges
- All products are 100% tested before delivery
- Options of neon/filament indicators label in rocker or printed rockers
- Wide variety of switch modules rated at 10 or 20 amps
- Single or double dimmer modules available
- Vast range of grid plates and modules from one source
- High quality grid frame
- Grid frame earth terminal has 16mm<sup>2</sup> cable capacity
- Backed out and captive terminal screws
- Plated grid frame prevents corrosion
- Up to 12 gang Logic Plus grid frontplates and up to 24 gang in decorative metal finish frontplates
- Top access terminal screws

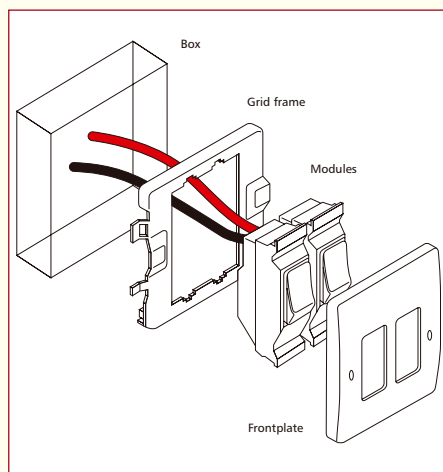


### Description

Grid Plus is a comprehensive modular switching and monitoring system ideal for a variety of applications within the commercial, public and domestic sectors.

Grid Plus cover plates have the advantageous design features of the MK wiring device ranges and the interchangeable modules also feature many of the wiring and installation benefits common to the MK wiring device ranges.

The system is extremely easy to assemble (see illustration) and modules can be individually changed without re-wiring of complete assembly by removal of frontplate and simply clipping in or out as required. For further installation details see 'Installation' overleaf.

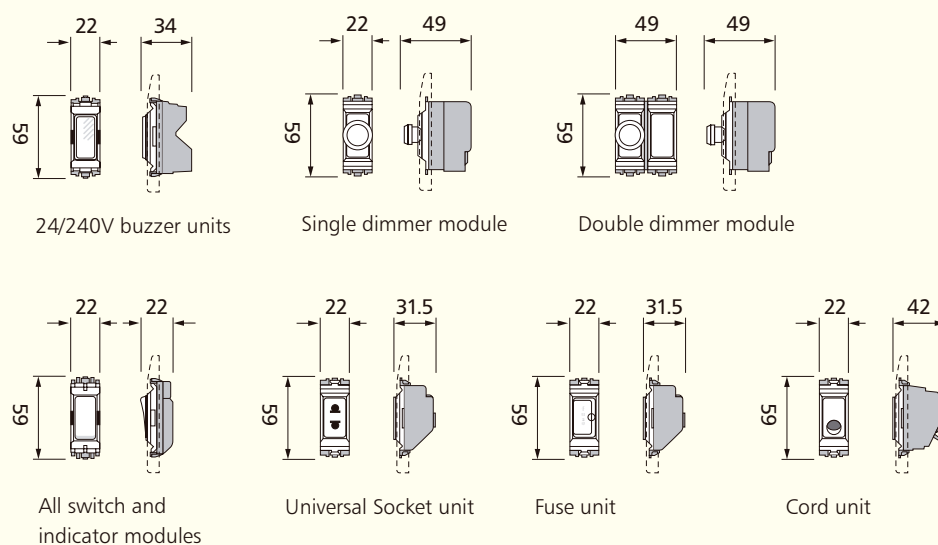


### Universal Socket

The Universal Socket does not incorporate an earth contact. Therefore appliances needing earth connection, (class 1 equipment), must NOT be used with the socket.

The socket is intended for use with BS, USA & CEE standard plugs.

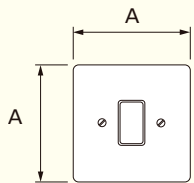
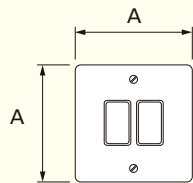
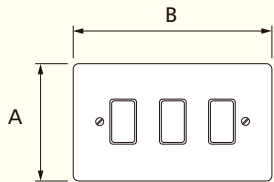
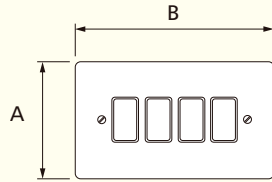
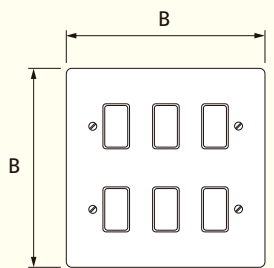
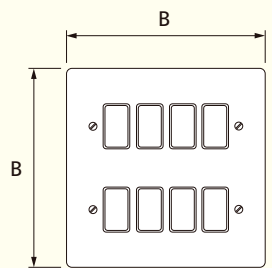
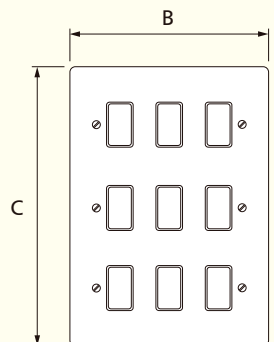
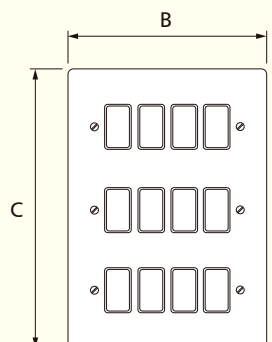
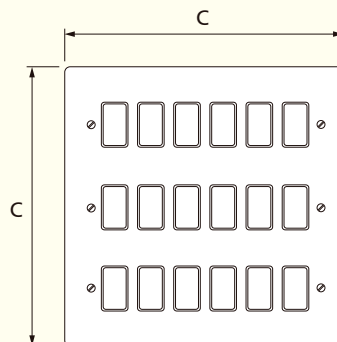
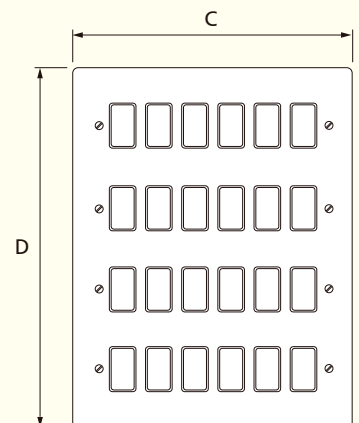
### Module Dimensions (mm)



Multiple dimmer installation load ratings When installing more than one dimmer in multi-gang plates, the power rating must be reduced to allow for heat generation.

## Modular Switching System

FRONTPLATE DIMENSIONS					
Range	Modules	A	B	C	D
Logic Plus	1,2,3,4,6,8,12	86	146	206	N/A
Aspect	1,2,3,4,6,8	86	146	N/A	N/A
Edge	1,2,3,4,6,8,9,12,18,24	86	146	206	267
Chroma Plus	1,2,3,4,6,8,9,12,18,24	86	146	206	267
Albany Plus	1,2,3,4,6,8,9,12,18,24	86	146	206	267
Grosvenor Plus	1,2,3,4,6,8,12	87.5	149.5	208	N/A
Savoy Plus	1,2,3,4,6,8,12	87.5	149.5	208	N/A
Metal Clad	1,2,3,4,6,8,9,12,18,24	86	146	206	267


**1 module**

**2 module**

**3 module**

**4 module**

**6 module**

**8 module**

**9 module**

**12 module**

**18 module**

**24 module**

### Technical specification

**Electrical**
**Switches**

Voltage rating:  
250V a.c., 50 Hz

Current rating:  
10 or 20 amps – no derating when used on fluorescent or inductive loads.

Load type:  
No restriction

Terminal capacity:  
4 x 1mm<sup>2</sup>, 4 x 1.5mm<sup>2</sup>, 4 x 1mm<sup>2</sup>,  
3 x 2.5mm<sup>2</sup>, 2 x 4mm<sup>2</sup>, 1 x 6mm<sup>2</sup>

**Indicator Units**

Voltage rating:  
24V indicators - min. 21V, max. 36V  
240V indicators - min. 200V, max 250V

Terminal capacity:  
as switches

**Buzzer Unit**

Voltage rating:  
240V  
24V

Terminal capacity:  
as switches

**Fuse Unit**

Voltage rating:  
250V

Current rating:  
13 amps

Terminal capacity:  
2 x 4mm<sup>2</sup>

**Cord Outlet**

Voltage rating:  
250V

Current rating:  
16 amps

Terminal capacity  
Supply: 2 x 4mm<sup>2</sup>  
Load: 1 x 1.5mm<sup>2</sup> multi-strand

**Dimmers**

Voltage rating:  
230V a.c., 50Hz

**Load rating:**

For single dimmer installations:  
K4500 min. 40W/VA, max. 400W/320 VA  
K4501 min. 40W/VA, max. 220W/180 VA  
K4510 min. 40VA, max. 400W  
K4511 min. 40VA, max. 220W

For multiple dimmer installation see Load Adjustment table, page TD206

**Load types:**

K4500, K4501 tungsten filament (GLS) lamps  
Low voltage lighting electronic or wire-wound transformers

**Soft start:**

Raises from low to control knob setting in 1-3 secs, (increases lamp life significantly)

**Terminal capacity**

1 x 2.5mm<sup>2</sup>, 2 x 1.5mm<sup>2</sup>

**Universal Socket**

Voltage rating  
125/250V

Current rating:  
16 amps

**Terminal capacity**

2 x 6mm<sup>2</sup> (stranded)  
3 x 4mm<sup>2</sup> 3 x 2.5mm<sup>2</sup>

## Modular Switching System

### Standards and approvals

#### Switch modules

BS EN 60669-1: 2000 or BS 3676: Part 1: 1989

#### Indicator units

BS 5733: 1995

#### Dimmer switches

Dimmers comply with BS EN 60669-2-1,  
BS EN 55015

#### Accessory modules

Single non-isolated, TV/FM socket outlet,  
BS 3041: Part 2: 1977

### Technical specification

#### Physical (all products)

Operating temperature:  
-5°C to +40°C

IP rating:  
IP4X

Max. installation altitude:  
2000 metres

### Installation

#### General

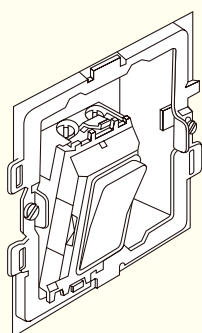
Cut cables to length and make earth connections to grid. Earth: bond Grid Frame to metal mounting box. Grid frames are screwed to back box, modules wired as appropriate and simply clipped into grid frame by hand. No tools are necessary. The front plate is screw fixed to the grid frame to finish the assembly.

To remove or change modules, simply remove front plate. Individual modules fit perfectly into the frontplate in flush fitting installations.

#### Grid mounting

An integral design feature automatically ensures that the modules fit perfectly into the frontplate in flush fitting installations.

Some manual adjustment may be required for surface mounted applications.

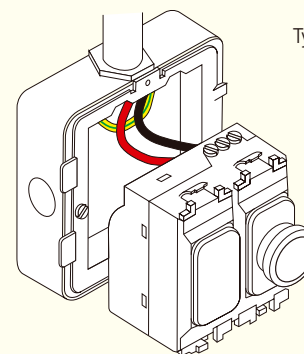


- 1 Locate bottom tab of module in base of grid.
- 2 Module pushes into place at top with a 'click'.
- 3 To remove module, press tab at top and lever forward.

#### Dimmers

The two module dimmers can only be fitted into two, or four module wide Grid Mounting Frames, and therefore can only be used with 2, 4, 8, 12, 18 and 24 Gang Frontplates.

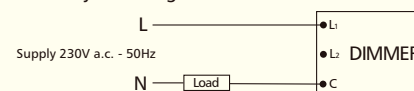
To avoid overheating when using more than one dimmer in the same Grid Plus Enclosure it is recommended that the dimmers are preferentially mounted on the bottom row on 6, 8, 9, 12, 18 and 24 Gang Enclosures, before mounting on any other rows and its load adjusted in accordance with the information provided in the Load Adjustment Table 1 at the bottom of the next page.



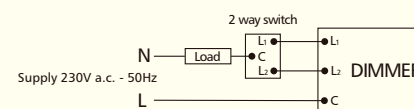
Typical mounting arrangement

### Dimmer wiring diagram

#### One-way switching



#### Two-way switching (only one dimmer can be used)



Wires must be connected to the correct Dimmer terminals. Supply Earth must only be connected to the installation metalwork and not to any of the terminals on the dimmer module.

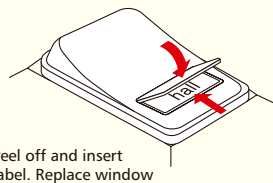
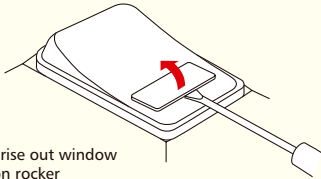
### Rocker window labels

The following labels are available for insertion into window rockers.

air conditioner	water heater	dish washer	store
bedroom	dining area	kitchen	lounge
pool	lights	bar	conference room
office	reception	bell	push
front	middle	bottom	rear
back	top	landing	hall
porch	toilets	ladies	gents
exterior			



The simple installation process is shown below.



Spare labels and windows are available.

#### TV/FM socket outlets

The TV outlet must not be mounted in the same enclosure as mains exceeding 50V.

**TABLE 1 – LOAD ADJUSTMENT FOR GRID PLUS DIMMERS**

<b>Frontplate Size, Number of Gangs</b>	<b>2</b>	<b>3</b>	<b>4</b>	<b>6</b>	<b>8</b>	<b>9</b>	<b>12</b>	<b>18</b>	<b>24</b>
Max Power/Load per Row – Tungsten GLS Lamps – W	400	480	480	480	480	480	480	720	720
Max Power/Load per Row – Mains Tungsten Halogen Lamps or Low Voltage Transformers – W or VA	320	380	380	380	380	380	380	580	580
Max Power/Load for Total Plate – Tungsten GLS Lamps – W	400	480	480	740	740	940	940	1440	1440
Max Power/Load for Total Plate – Mains Tungsten Halogen Lamps or Low Voltage Transformers – W or VA	320	380	380	600	600	750	750	1155	1155

## Grid Plus Dimmer Switches

### Standards and approvals

All Grid Plus dimmer switches comply with the EC Low Voltage Directive: 73/23/EEC, Electromagnetic Compatibility Directive 89/336/EEC

They also comply with BS EN 60669-2-1 and BS EN 55015

### Technical specification

#### Electrical

Mains Supply Voltage:  
230V a.c. (Nominal)

Mains Supply Voltage Range:  
216V a.c. to 253V a.c.

Mains Supply Frequency:  
50Hz

Type of Loads:

Low Voltage Dimmers:  
Fused GLS Tungsten Filament lamps to BS EN 60064: 1996 and BS EN 60432-1,2 rated at 230/240V. Dimmable wire wound or electronic Low Voltage Transformers of good quality. Can also be used with good quality mains voltage halogen lamps incorporating GU10 bases. Please check with lamp manufacturer to determine suitability.

Note: Transformer must be suitable for dimming using phase delay (not phase out) type of dimmers.

Warning: These dimmer switches are not suitable for use with Fluorescent Lamps or Energy Saving Lamps.

#### Physical

Operating temperature:  
0°C to +40°C

IP rating:  
IP4X

Max. installation altitude:  
2000 metres



### Description

#### Intelligent Dimmer Switches

Dimmer Switches belonging to this category employ the latest, state of the art, micro-controller base electronic circuitry and use current sensing to compute the load conditions. These products show progressive reaction to Over-load conditions, depending on the extent of Over-load – see Table 1. List numbers belonging to this category are identified by the suffix letters LV, e.g. K4501 WHI LV. These Dimmer Switches employ one pole change over switches to facilitate two way switching.

MK Grid Plus Dimmer Switches are not suitable for use with Fluorescent Loads, including Energy Saving Lamps.

### Features

#### MK Grid Plus Dimmer Switches incorporate the following advanced features

- Suitable for dimming Low Voltage Halogen lamps via suitable, fully dimmable electronic or wire-wound transformers. See Table 2 for the number of transformers allowed to be used with each dimmer
- Can be used with good quality mains voltage halogen lamps incorporating GU10 bases. Please check with lamp manufacturer to determine suitability
- Unidirectional current sensing. While being used with wire-wound transformers for low voltage lighting, these dimmer switches continuously monitor the drive conditions to the transformers, which

require essentially, bi-directional a.c. supply at their input terminals. If, due to some fault condition, the supply to the wire-wound transformer is detected to be unidirectional, which could result in over-heating and/or damaging the transformer, the dimmer switches' circuitry automatically stops supplying the transformer after a few cycles of detected unidirectional supply

- Soft Start, which gradually increases the light output from the load over 1 to 3 seconds after switch on. The Soft Start feature is also particularly beneficial when used to dim Mains Voltage Tungsten Halogen lamps which have inherent very high inrush current at switch on

### Cable Management

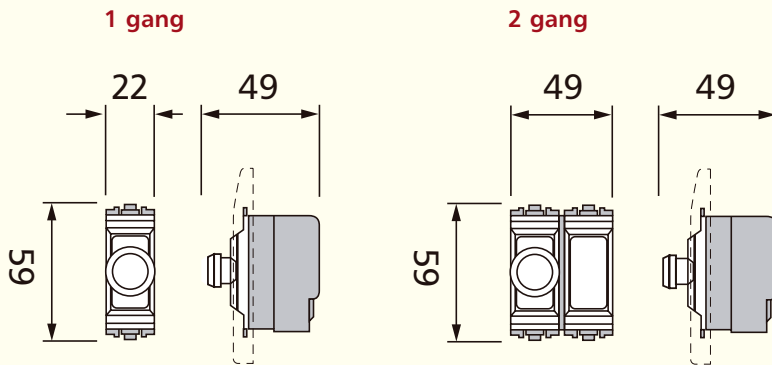
Grid Plus dimmer switches can be mounted in a variety of MK trunking systems.

## Grid Plus Dimmer Switches

**TABLE 1 – OVERLOAD REACTION**

Case	Approximate load on the dimmer as a percentage of its maximum load	Power output to load when dimmer control is set to maximum
1	Up to 125	Load will receive maximum power continuously.
2	>125 to 150	Output to load will be reduced to 50% of the maximum after a delay of approximately 20 seconds after switch on.
3	>150 to 200	Output to load will be reduced to the minimum setting of the dimmer after a delay of approximately 20 seconds after switch on.
4	>200	Output will be disabled (load will be switched off) almost instantaneously after switch on.

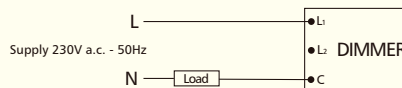
### Dimensions


**TABLE 2 – GRID PLUS INTELLIGENT DIMMER SWITCHES**

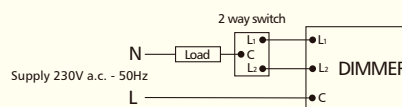
	Rating	Max No. of Transformers
1 module dimmer switch	40-220W (LV rating 40-180VA)	3
2 module dimmer switch	40-400W (LV rating 40-320VA)	5

Do not connect more than the maximum number of transformers stated for each dimmer. Grid Plus dimmer switch ratings are for each dimmer when installed singly. In multiple installations, each dimmer switch must be de-rated – see Table 1 under ‘Modular Switching System’ section.

#### One-way switching



#### Two-way switching (only one dimmer can be used)



Wires must be connected to the correct dimmer terminals. DO NOT connect earth to dimmer.