

Remote handset

You have complete control

Getting started

Press the on button to get your shower started, once your temperature is reached, press again to pause, giving you time to get ready to shower without wasting water

Warming up

Just press the red and blue arrows to adjust the temperature to your needs. You'll know your desired temperature is reached when the fast flashing LEDs slow down to a calm, regular pulse



Flow choice

The Trevi Logical gives you a choice of 5 flow settings from a gentle low spray to a more invigorating boost

Total temperature control

The Trevi Logical contains a wax capsule thermostat designed to give you precision temperature control

Easy grip

The soft grip slip resistant exterior of the handset ensures that you stay firmly in control

Technical features

Trevi Logical

Key User features

Remote control operation up to 10 metres away

- innovative wireless handheld remote
- control temperature and flow at the touch of a button
- allow your shower to reach the perfect temperature before use
- 2 minute pause function

Precise temperature control

- thermostatic control maintains temperature to within +/- 1°C
- LED lights on the remote indicate when desired temperature is reached
- pre-set temperature 38°C with option to increase to 41°C (option to increase to 45°C at time of installation)

Water flow option

- 5 flow settings at the touch of a button - low, medium, high, boost, super boost
- 3 manually controlled spray options on shower head

Spray patterns



Safety and maintenance

- automatic shutdown - 2 seconds in the event of cold water supply failure, 8 seconds in event of power failure
- 15 minute run time to avoid accidental long running
- built-in fault identification diagnostics to simplify servicing
- continuous communication between control and receiver, automatic shutdown after 8 seconds if remote is taken out of range during use
- lifetime guarantee against limescale build up within thermostatic element incorporating M-tech technology
- low battery life indicator

Installation benefits

- can be installed in the loft space, airing cupboard or under the bath
- minimum disturbance to bathroom decor when installed with Moonshadow Top Connection shower kit
- options for both high and low pressure water systems

Guarantees

We've got such belief in our products that you'll find our guarantees are watertight.



Guarantee

It's simple. All of our shower valves, kits and accessories are guaranteed for five years. This covers all products used in the manner that they were designed for. If any product has a fault, just return it to us, with proof of purchase, and we'll replace it within 48 hours.



Lifetime limescale-free on all valves

Thanks to our unique membrane technology, we can offer a 100% guarantee against failure of our thermostatic cartridge due to internal limescale build-up. No other manufacturer can give you this guarantee, so no other manufacturer can you give the same peace of mind.*

*However periodic/regular maintenance will need to be undertaken to clean the filters and thermostat moving parts.

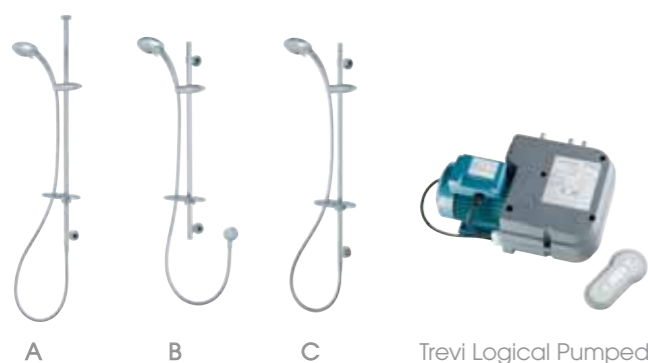


Trevi Logical pack

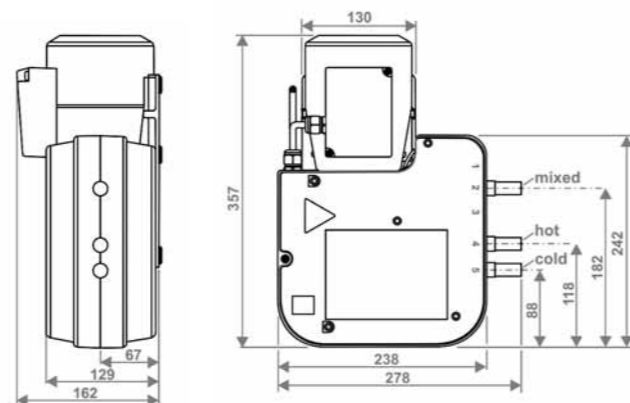
Trevi Logical packs contain all the components for your shower - each pack comes with a digital processor unit, the shower kit of your choice, a remote control handset and a holder

Trevi Logical low pressure pack (pumped)

- A L6840AA - Top connection kit
- B L6844AA - Standard connection kit
- C L6842AA - Bottom connection kit



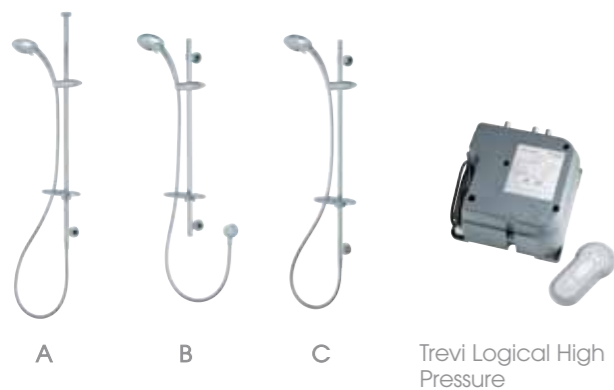
Trevi Logical pumped processor



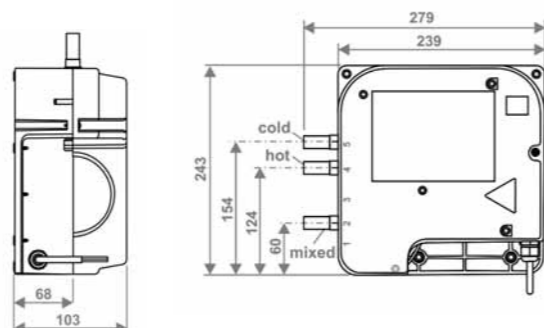
Suitable for low pressure gravity fed systems.

Trevi Logical high pressure pack

- A L6841AA - Top connection kit
- B L6845AA - Standard connection kit
- C L6843AA - Bottom connection kit



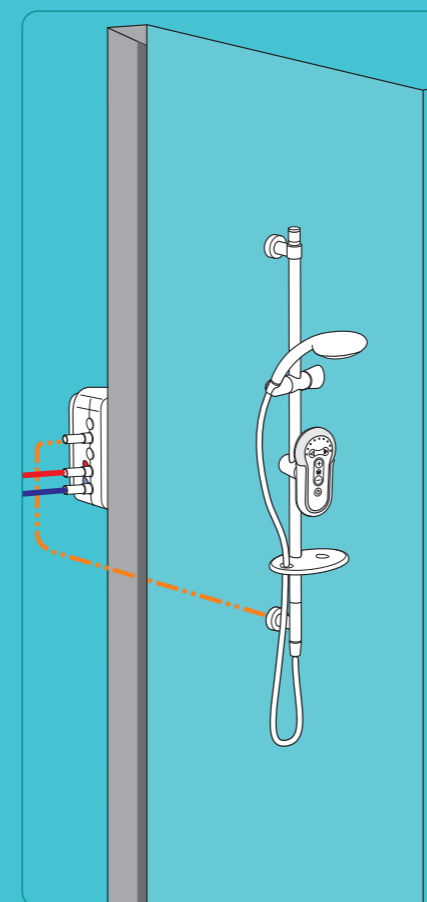
Trevi Logical high pressure processor



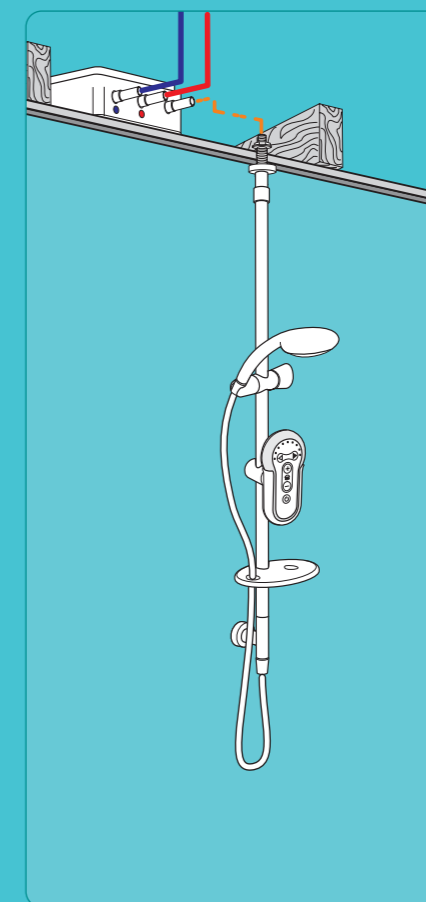
Suitable for modulating combination boilers, unvented mains pressure and pumped gravity fed systems.

Trevi Logical installation

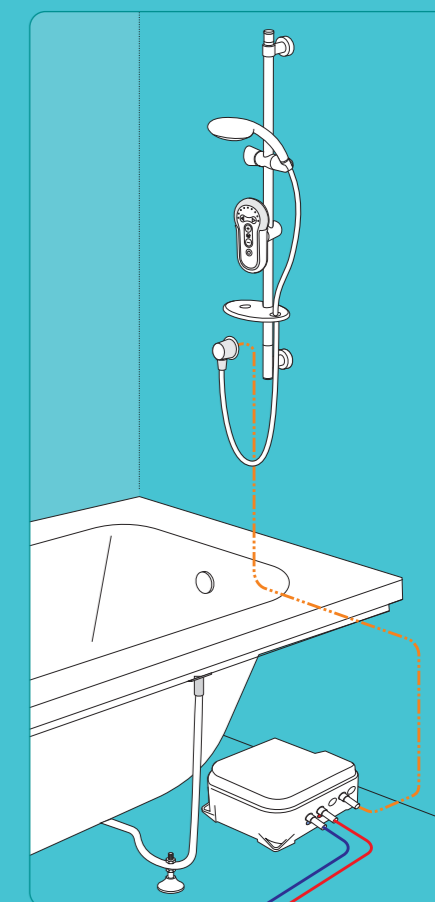
Installation is simple and hassle-free with Trevi Logical. It can be installed wherever you want with minimal disruption to your bathroom decor.



- ⬆️ Airing cupboard installation
- make use of convenient storage space



- ⬆️ Loft installation
- convenient for water inputs and ceiling connection to shower



- ⬆️ Under bath installation
- use otherwise un-used space behind the bath panel